

Check Valves

Trans-Chek®

Patent Pending

U.S. Valve

We make high-performance check valves that will double your Cv.¹ If you are looking for the lowest possible pressure loss then our resilient hinged double disc valves are what you need.

Durable

Our unique, air-foil designed wing support conditions the flow profile, resulting in a more laminar, less turbulent flow, thus extending the life of the valve. Our valves consistently out-perform all other products on the market today.

Low Maintenance

A protective coating secures our valves against normal atmospheric corrosion and enhances appearance, making priming and painting unnecessary.

Reliable

Each of our valves is individually inspected and tested to ensure performance. Most manufacturers will check only random valves. **We test every, single one.**

Highest Quality

Our designs specify the finest materials engineered specifically for each application. We manufacture all our valves with forged wing supports for superior strength against linear loads, and all wing pins and fasteners are made of 316 stainless steel.

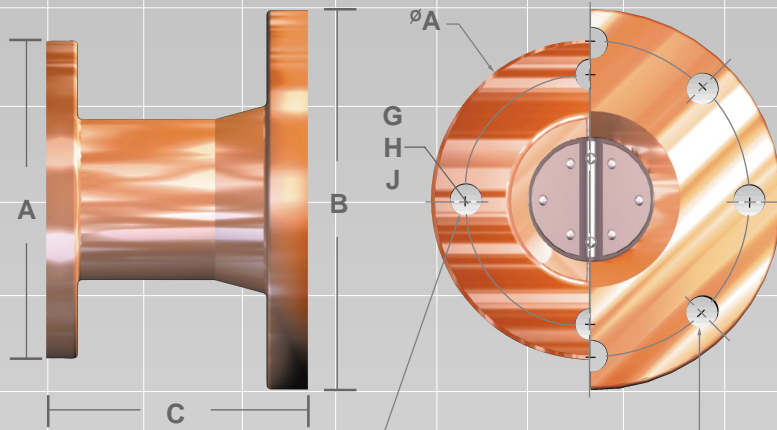
Manufactured by U.S. Valve

Every component is manufactured entirely by U.S. Valve. We control the quality, we control delivery and we keep our prices down.

In Stock

We stock a vast inventory of valves, so most sizes and materials can ship the same day.

¹The Cv of our high-performance check valves is almost twice that of conventional, metallic-hinge, double door check valves for sizes 2" through 14" and approximately 25% more for sizes 16" through 24".



G- Bolt hole diameter
H- # of equally spaced holes
J- Bolt circle diameter

D- Bolt hole diameter
E- # of equally spaced holes
F- Bolt circle diameter

Dimensional Data: (inches)

Valve size	A	B	C**	D	E	F	G	H	J
1½ x 2	5	6	5	¾	4	4¾	5/8	4	3 ^{7/8}
2 x 2½	6	7	6	¾	4	5½	¾	4	4¾
2 x 3	6	7½	6	¾	4	6	¾	4	4¾
2 x 4	6	9	7	¾	8	7½	¾	4	4¾
2½ x 3	7	7½	6	¾	4	6	¾	4	5½
2½ x 4	7	9	7	¾	8	7½	¾	4	5½
3 x 4	7½	9	7	¾	8	7½	¾	4	6
3 x 5	7½	10	8	7/8	8	8½	¾	4	6
3 x 6	7½	11	8	7/8	8	9½	¾	4	6
4 x 5	9	10	9	7/8	8	8½	¾	8	7½
4 x 6	9	11	9	7/8	8	9½	¾	8	7½
5 x 6	10	11	9	7/8	8	9½	7/8	8	8½
6 x 8	11	13½	11	7/8	8	11¾	7/8	8	9½

Consult factory for larger sizes.

**All "C" dimensions .060"

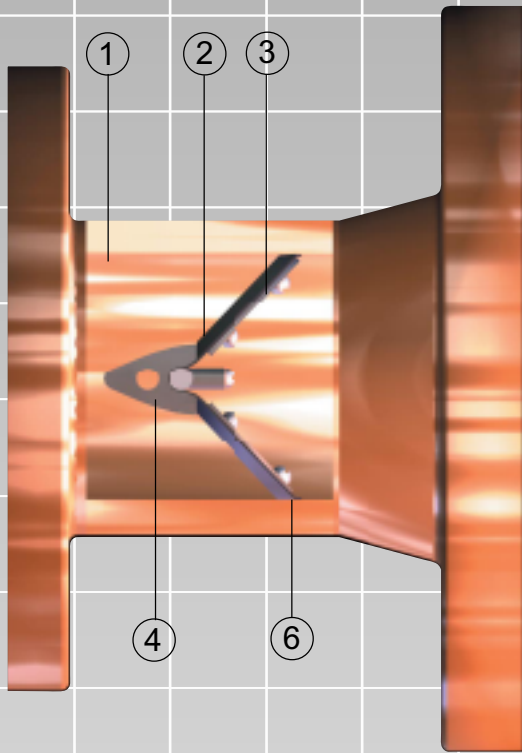
Trans-Chek[®] Models and Materials*

Model	Body	Discs	Wing Support	M.O.P.#
15-1-4	Carbon Steel ASTM A106 Gr.B & A105 Flanges Weldments**	Stainless Steel ASTM A240 316	Forged Stainless Steel 316	150 PSI
15-2-0	Cast Iron ASTM 126 Gr.B	Aluminum ASTM B209 6061T6	Forged Aluminum 6061	125 PSI
15-2-3	Cast Iron ASTM 126 Gr.B	Brass ASTM B36 C260	Forged Brass ASTM B124 C377	125 PSI
15-4-4	Stainless Steel ASTM A312 - 316 & A182 Flanges - 316 Weldments**	Stainless Steel ASTM A240 316	Forged Stainless Steel 316	150 PSI

*All fasteners and spring pins are 316 stainless steel. BUNA-N is standard seal in all valves. Optional seal materials: EPDM, SILICONE, VITON. 316 stainless steel springs are optional for all models. Consult factory for any other special material requirements.

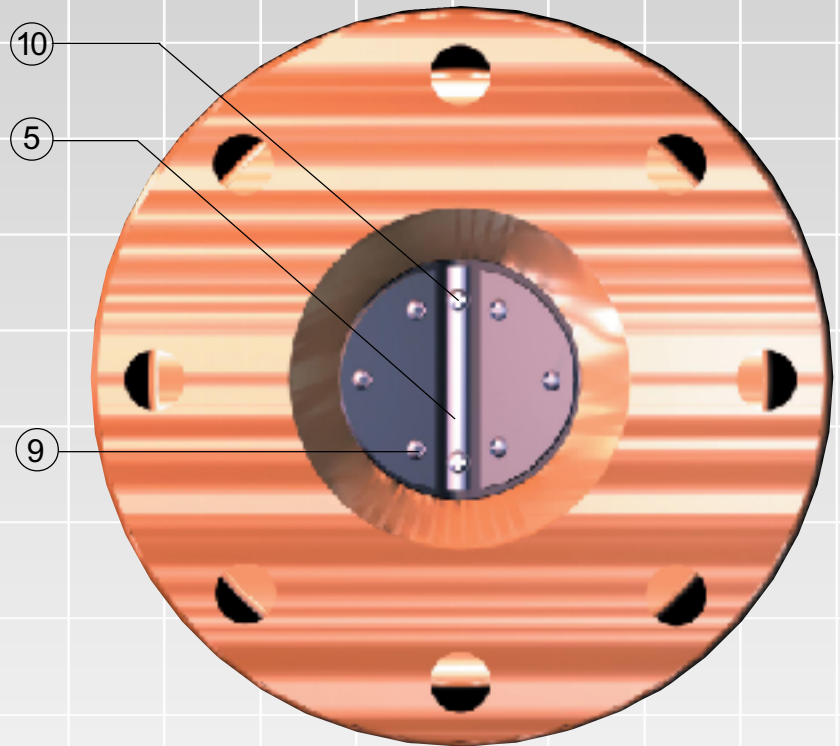
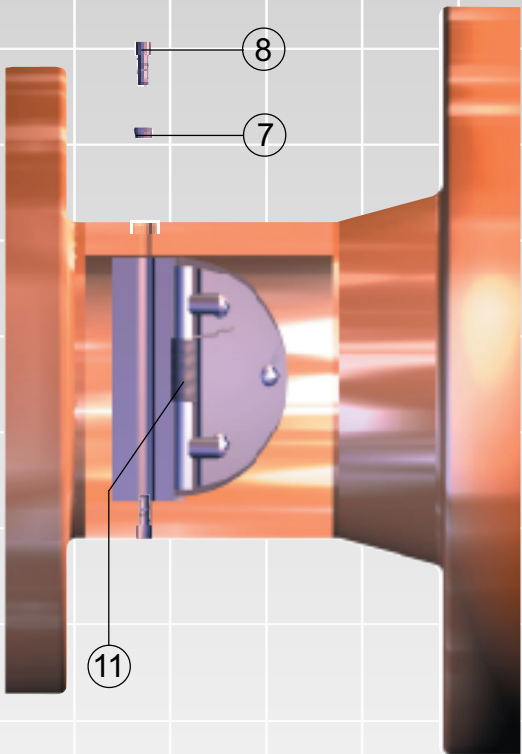
#Max Operating Pressure at 60°F.

** Consult factory for "C" dimensions.



Parts and Description:

Item	Description
①	Body
②	Disc
③	Disc Backup
④	Wing Support
⑤	Wing Pin
⑥	Seal
⑦	Sealing Washer
⑧	Wing Support Screw
⑨	Disc Assembly Screw
⑩	Wing Assembly Screw
⑪	Spring (Optional)



Trans-Chek®

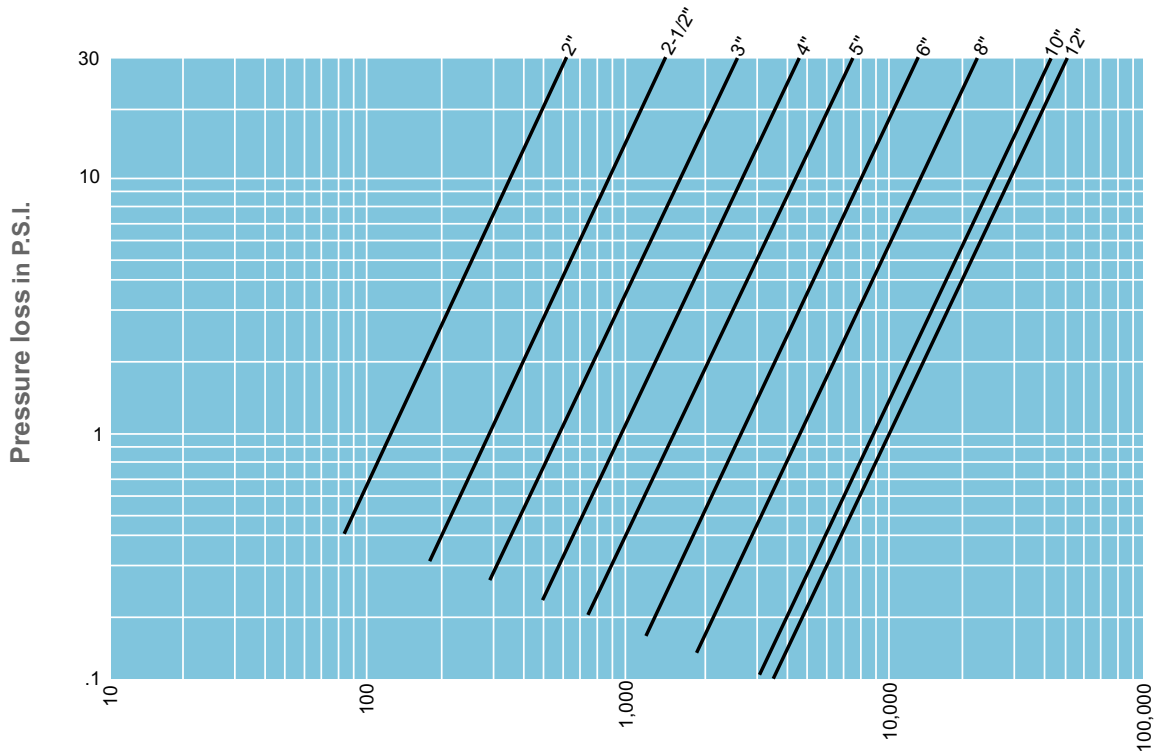
Our revolutionary Trans-Chek® valves are unique in the market and are the ideal all-in-one transition piece including a check valve for pump or blower discharge connections.



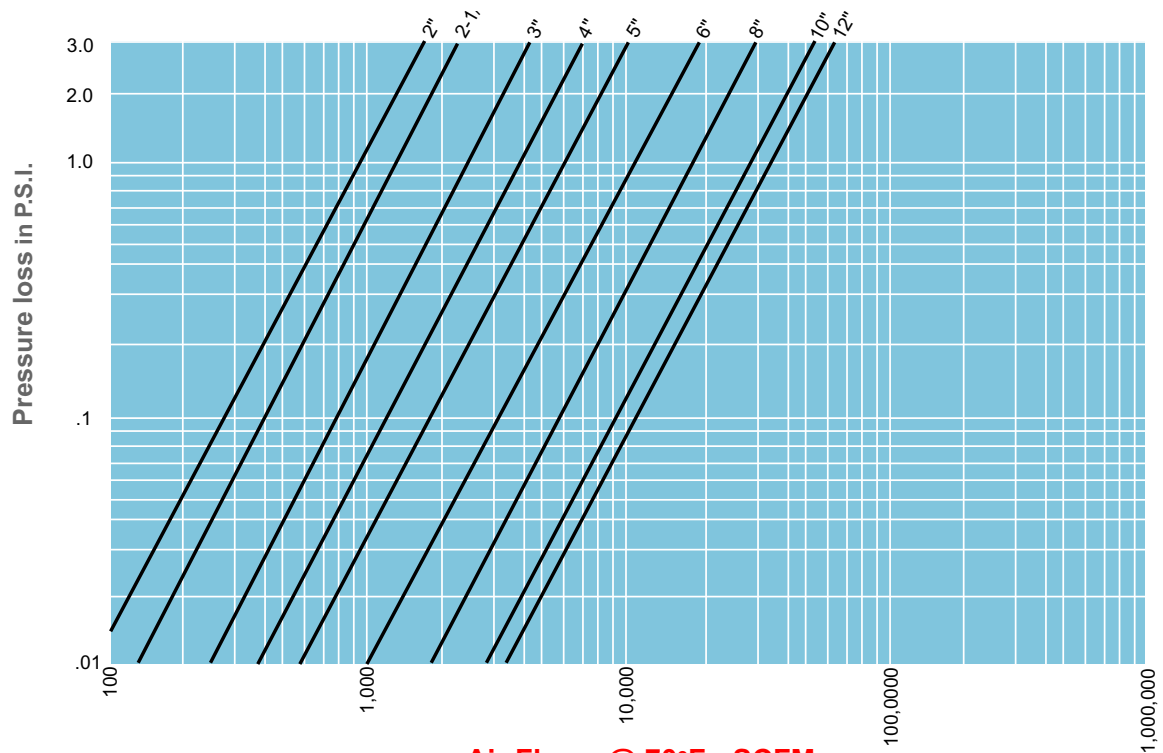
U.S. Valve LLC
 810 Oregon Avenue
 Linthicum, Maryland 21090
 Tel: (410) 789-0999
 Fax: (410) 789-1009
 email: info@usvalve.com
 website: www.usvalve.com



Pressure Loss Charts:



Water Flow - @ 70°F - GPM



Air Flow - @ 70°F - SCFM



U.S. Valve LLC
 810 Oregon Avenue
 Linthicum, Maryland 21090
 Tel: (410) 789-0999
 Fax: (410) 789-1009
 email: info@usvalve.com
 website: www.usvalve.com